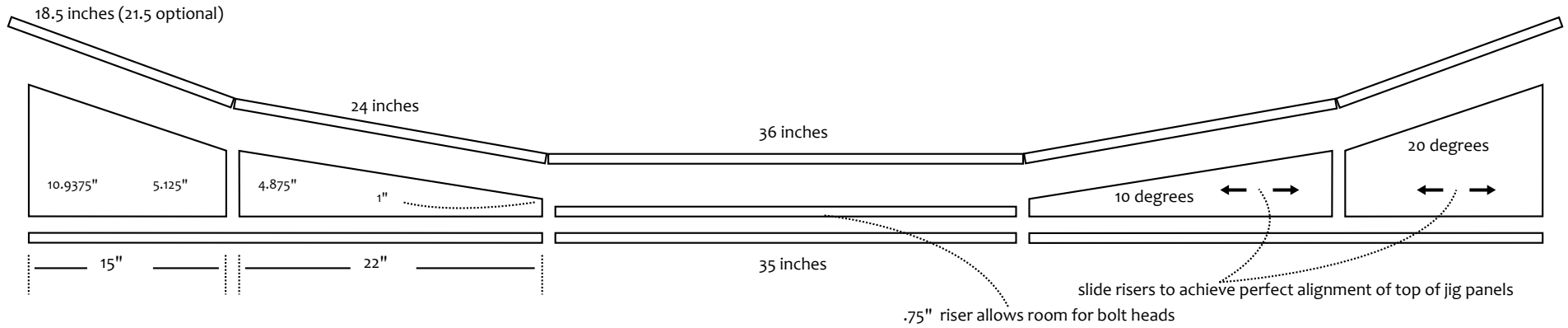
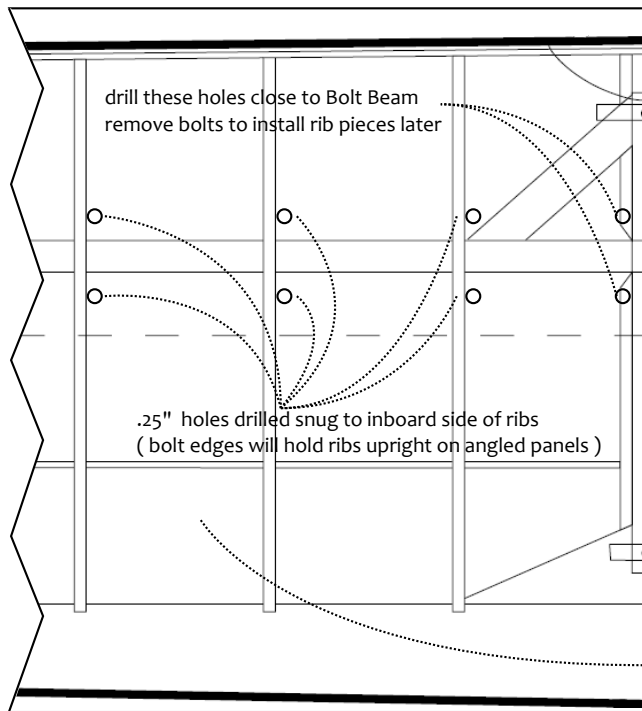


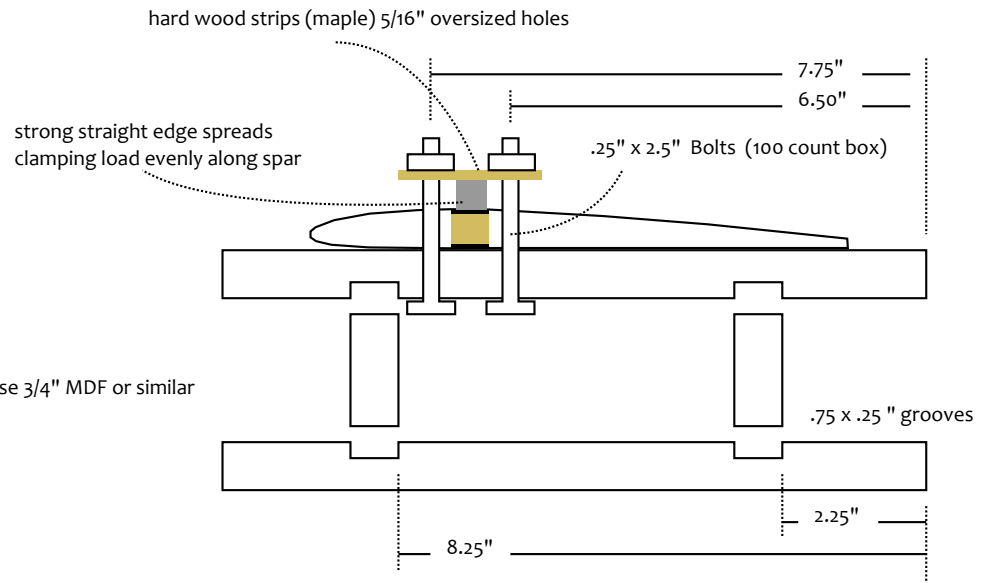
# Bubble Dancer Wing Jig



## Detail



NOTE: Use 3/4" MDF or similar



cut wing plan into 5 panels  
center wing spar between bolt holes  
align panel ends with jig panel breaks  
tape plan sections to jig